

# The Cotswold Heavy Duty Gazebo (2700mm x 2700mm)



## Component List

4 x Pergola Corner Posts	(125mm x 125mm)	2100mm / 2700mm	(A)
2 x Roof Frame (Front / Rear)	(145mm x 42mm)	2400mm	(B)
2 x Roof Frame (Sides)	(145mm x 42mm)	2700mm - Angle Cut	(C)
1 x Roof Frame (Apex Beam)	(145mm x 42mm)	2700mm - Angle Cut	(D)
2 x Roof Uprights (Front / Rear)	(92mm x 42mm)	550mm - Notched	(E)
2 x Specific Rear Roof Rafters	(92mm x 42mm)	1475mm - Angle Cut & Notched	(F)
12 x Roof Rafters	(92mm x 42mm)	1475mm - Angle Cut	(G)
8 x Corner Support Braces	(92mm x 42mm)		(H)
30 x Featheredge Roof Boarding	(12mm x 125mm)	2590mm	(I)
1 x Roof Capping	(21mm x 100mm)	2590mm	(J)
68 x 100mm Wood Screws			(FIX1)
14 x 150mm Wood Screws			(FIX2)
231 x 50mm Coated Green Screws			(FIX3)

### Tools Required

Drill Driver  
PZ2 Driver Bit  
Pilot Drill Bit  
Pencil  
Tape Measure  
Spirit Level

A minimum of two people are required to assemble this gazebo.

# The Cotswold Heavy Duty Gazebo (2700mm x 2700mm)



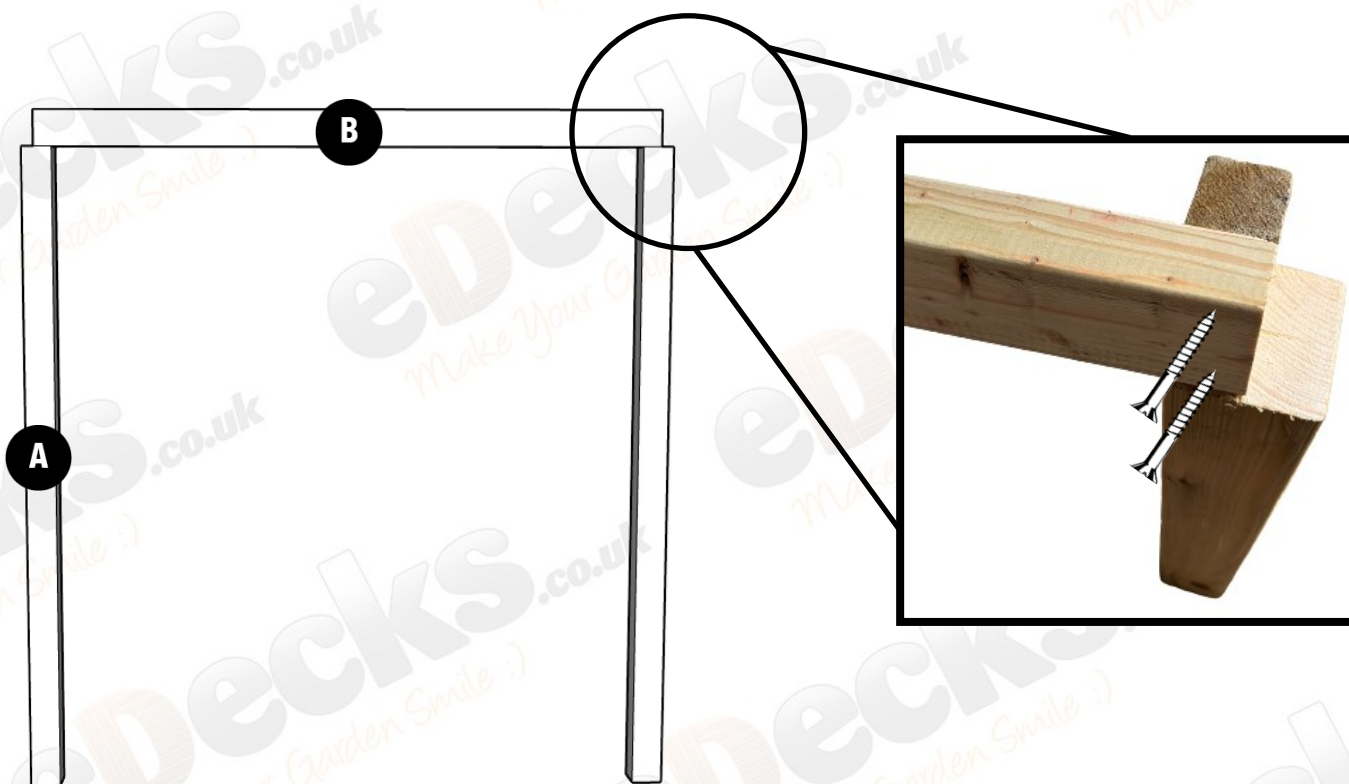
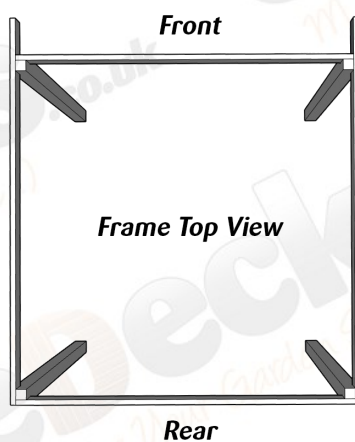
## Step 1

*\*To prevent splits, drill a pilot hole before driving screws\**

To begin your gazebo build the first step is to create the frame, starting off by fixing the roof framing timber (B) to 2 of the posts (A) as per the below diagram using 2 x 100mm Wood Screws (FIX1) at either side.

Repeat the process for both sides.

Note that the roof frame timber sits inside the post as shown below, flush with the upstanding notched piece of timber left on the top of the post, these notched pieces will be the internal corners.



All images are for illustration only. Please see individual item listings for actual item specifications.

Page 2 of 9

# The Cotswold Heavy Duty Gazebo (2700mm x 2700mm)



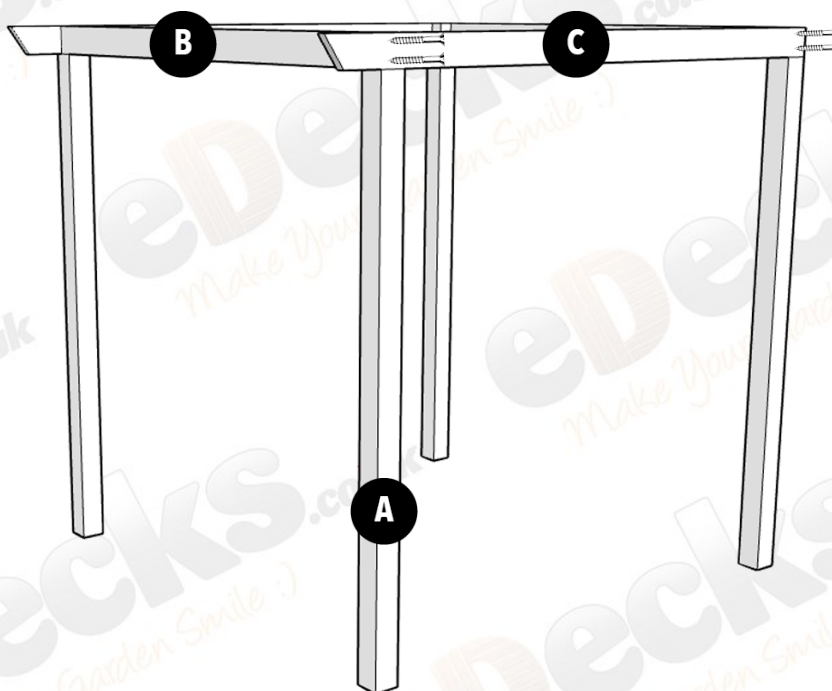
## Step 2

*\*To prevent splits, drill a pilot hole before driving screws\**

In order to join the two frame sections that you made in step 1, parts (C) need to be put in place and fixed into position using 2 x 100mm Wood Screws (FIX1) at each point of contact.

At the rear, the roof frame timber will sit flush with the cross section and the post as indicated below.

At the front, the roof frame timber will sit onto the post in the notched out section and should overhang at the front by approximately 290mm.



All images are for illustration only. Please see individual item listings for actual item specifications.

Page 3 of 9

# The Cotswold Heavy Duty Gazebo (2700mm x 2700mm)

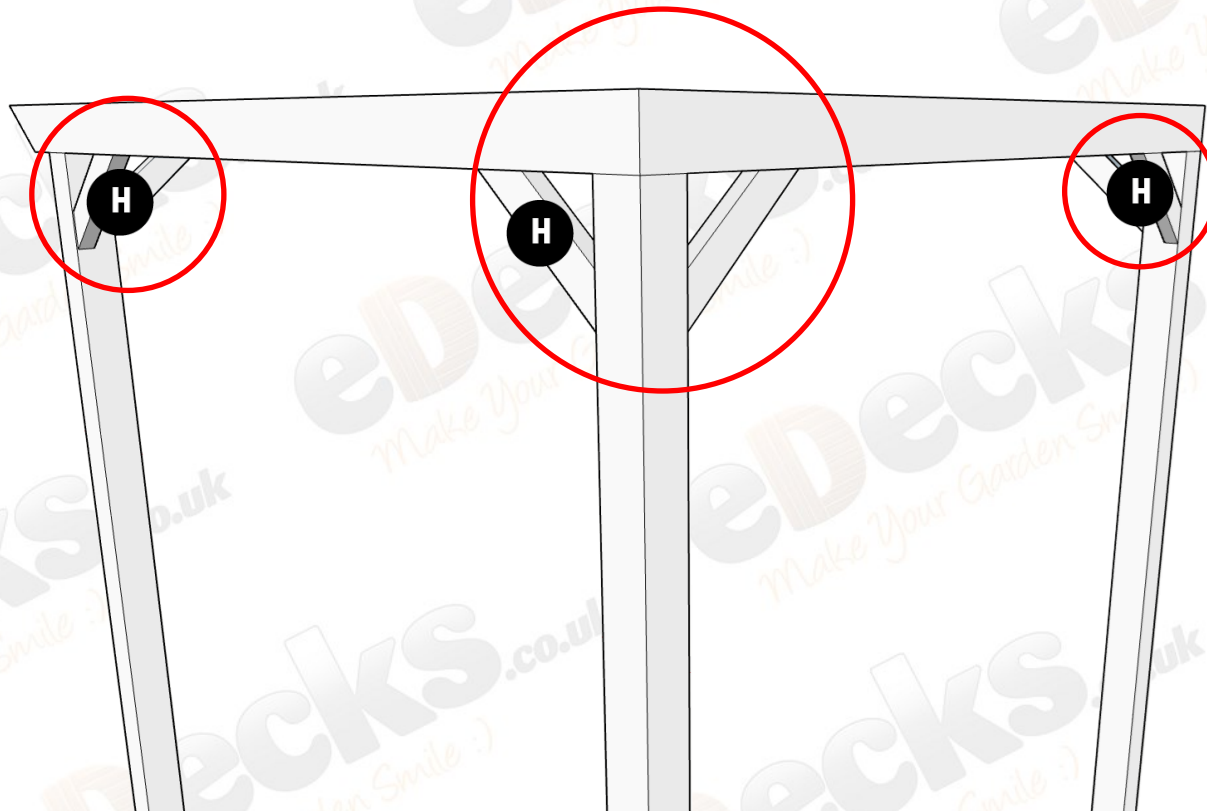
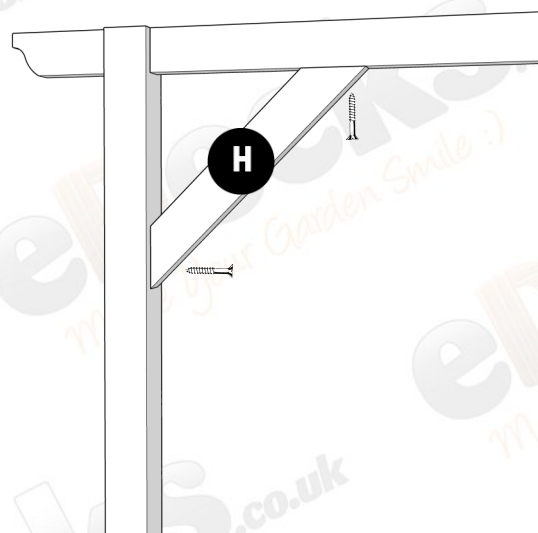


## Step 3

*\*To prevent splits, drill a pilot hole before driving screws\**

In order to create some rigidity, install the Corner Support Braces (H) and secure in position using 2 x 100mm Wood Screws (FIX1), one in the top into the frame and one at the bottom into the post.

Repeat this process on all four corners, in both directions as per the diagram to the right.



All images are for illustration only. Please see individual item listings for actual item specifications.

Page 4 of 9

# The Cotswold Heavy Duty Gazebo (2700mm x 2700mm)



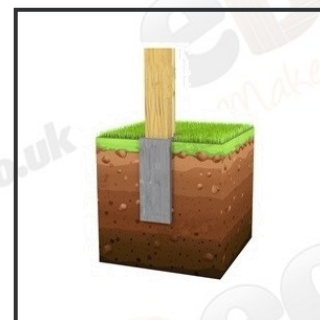
## Step 4 - Securing your Gazebo

With the build complete you now need to fix the pergola in its final position. It is important to attach it in the right way to the surface on which it will stand.

A general rule to remember for all footings is that it should be level. The footing should also be firm, so that the pergola is well anchored and stands stable even in strong winds and remain solidly fixed for years to come.

### OPTION A - Concrete In (2.7m Posts)

If you have chosen our concrete in option, your kits will come provided with longer posts, allowing for 600mm to be bedded into the ground and fixed with concrete/postmix. (sold separately).



### OPTION B - Bolt Down Anchors (2.1m Posts)

Bolt down anchors are the ideal to secure your posts onto a concrete base, brick wall, or other hard flat surfaces such as decking.

We recommend using a Hex Head M8 x 60mm Thunderbolts or similar (sold separately). Simply line up your anchor in your chosen final position that drill a hole using the correct masonry drill bit, remove the dust and debris and wind in until fastened down tight. The anchors can then be tightened to the post using the 2 bolts on the side which locks it into its final position



### OPTION C - Steel Spikes (2.1m Posts)

Steel spikes are designed for soft ground and areas with no hard standing the advantage is that it removes the need to dig post holes and pour concrete.

All you need to do is put the spike in the place you would like it and hammer into the ground with a sledge hammer, we recommend using an off cut of timber to avoid damaging the spike.

The further the spike is into the ground the harder it will be to realign, so check the level frequently as you go deeper. The spike can then be tightened to the post using the 2 bolts on the side which locks it into its final position.



# The Cotswold Heavy Duty Gazebo (2700mm x 2700mm)



## Step 5

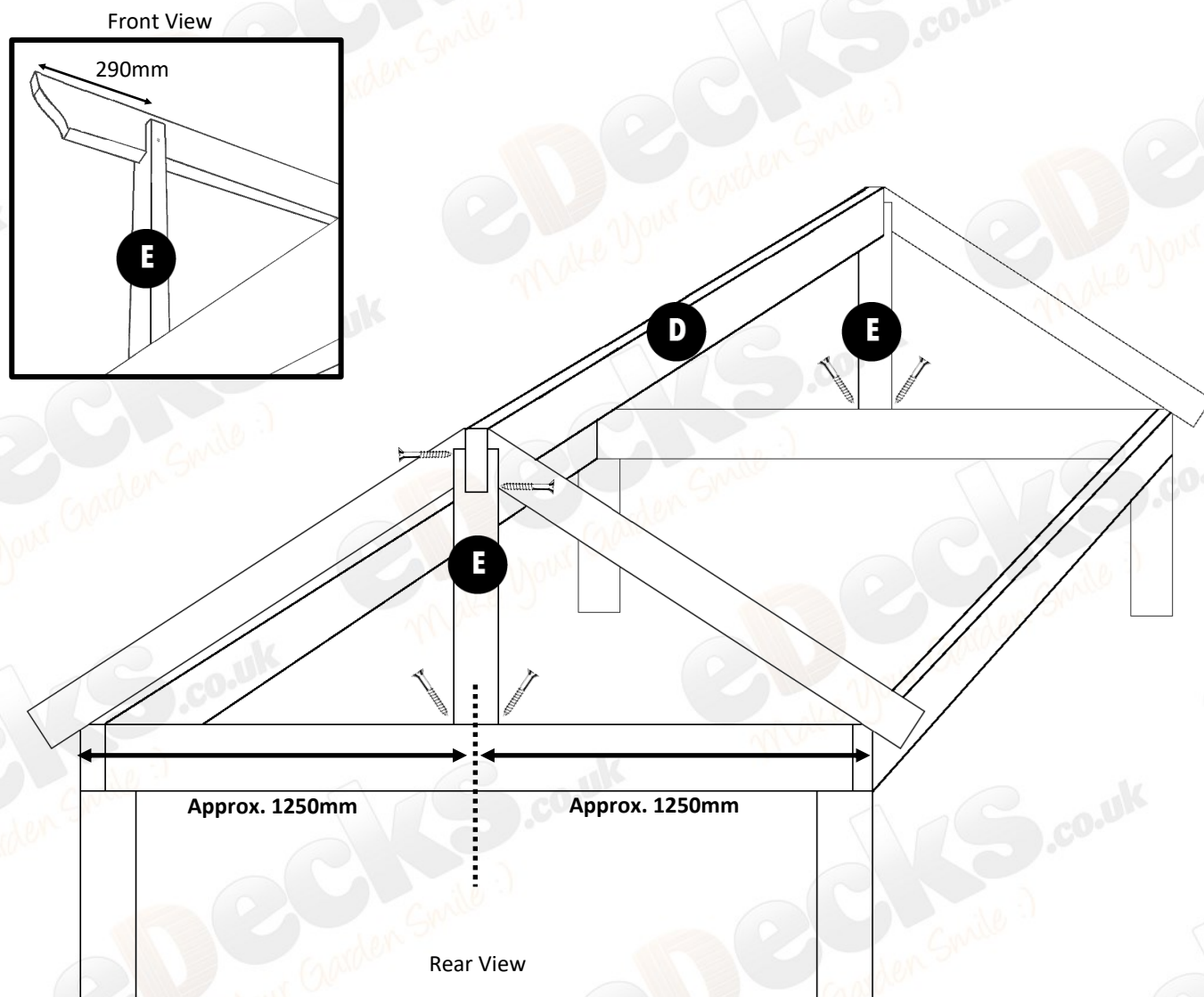
*\*To prevent splits, drill a pilot hole before driving screws\**

To begin creating the roof structure, the 2 x Roof Uprights (E) and Roof Frame (Apex Beam) (D) need to be fixed into position.

Starting with part (E), measure to the centre of the front / rear (approx. 1250mm) and attach using 2 x 100mm Wood Screws (FIX1) driven diagonally through the side of the upright and into the timber below, the back edge should sit flush with the frame. Repeat at the other end.

With both Roof Uprights (E) now secured, the Roof Frame (Apex Beam) (D) can be slotted into position and fixed into place using 2 x 100mm Wood Screws (FIX1), this timber should also sit flush at the back of the upright, the front end will overhang approx. 290mm as per the sides.

When fixing the Apex Beam in place we recommend one screw to go at the top through the side and the other lower down to avoid them hitting one another, see below.



All images are for illustration only. Please see individual item listings for actual item specifications.

Page 6 of 9

# The Cotswold Heavy Duty Gazebo (2700mm x 2700mm)



## Step 6

*\*To prevent splits, drill a pilot hole before driving screws\**

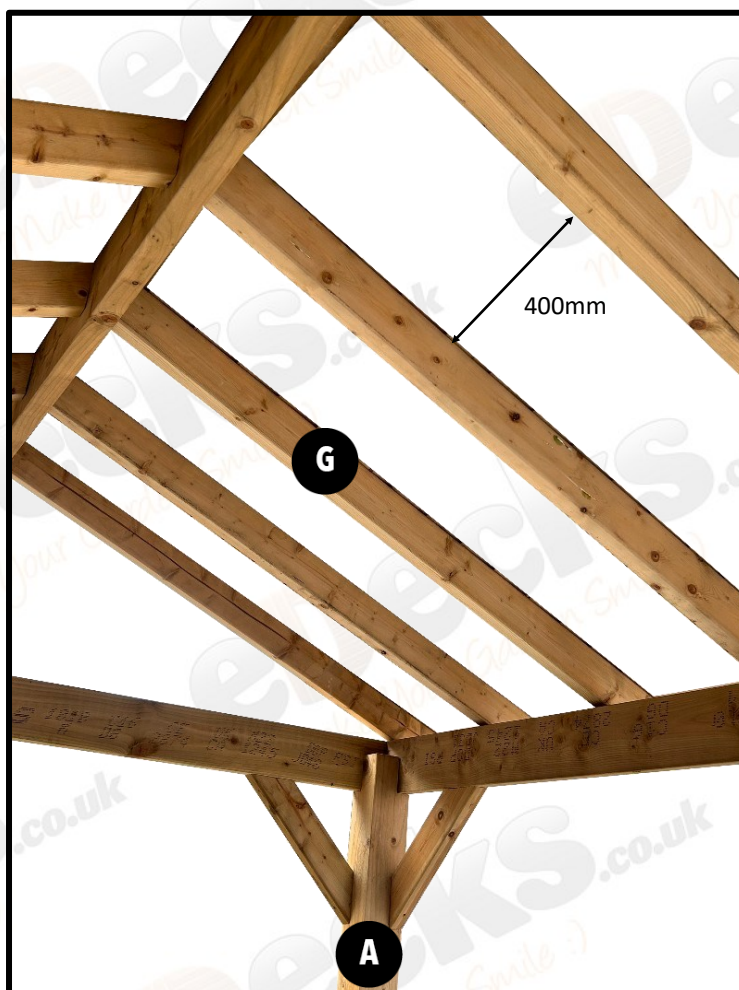
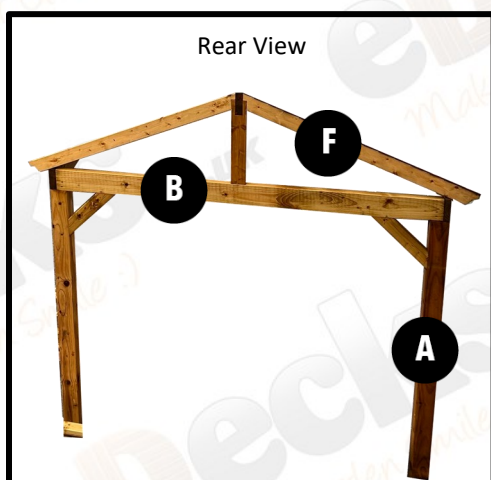
To complete the roof frame, the rafters (**F**) and (**G**) need to be now installed, these are secured using the bigger 150mm Wood Screws (**FIX2**) as they need to be driven right through the rafter from the top and down into the frame.

We recommend installing the rear two rafters first as they are slightly different to the rest. They sit directly on top of the rear posts (**A**) and are notched accordingly. These two will sit flush to the back of the frame timber below.

Next add the front two rafters, by doing this it will help to set out the spacing for the remaining rafters.

The front two rafters need to be 2590mm from the back edge of the back rafters, to the front edge of the front rafters, this measurement is the same as the roof boards (**I**) which will be installed in the final step.

The remaining rafters are to be installed so they are evenly spaced between the front and rear sets, approx. 400mm apart.



# The Cotswold Heavy Duty Gazebo (2700mm x 2700mm)



## Step 7

*\*To prevent splits, drill a pilot hole before driving screws\**

Starting from the bottom of the roof frame, lay the first piece of Featheredge Roof Boarding (**I**) in to place, flush with the end of the rafters and secure using 1 x 50mm Coated Green Screw (**FIX3**) in to each truss. Total 7 screws per board.

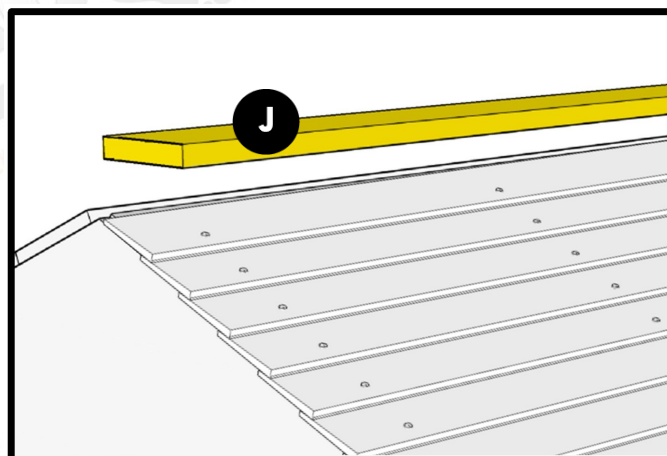
Remember to leave a 20mm overlap on each board and to screw through the thick part of the feather-edge board.



## Step 8

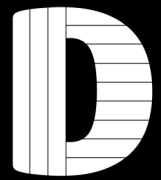
The Roof Ridge Capping (**J**) is fixed in position using 7 x 2 x 100mm Wood Screws (**FIX1**) in the centre of the board and into the Apex Beam (**D**) below it.

This should sit flush with all of the front and rear edge of the roof.





# The Cotswold Heavy Duty Gazebo (2700mm x 2700mm)



**Enjoy your new Cotswold Heavy Duty Gazebo  
(2700mm x 2700mm)**

All images are for illustration only. Please see individual item listings for actual item specifications.

Page 9 of 9